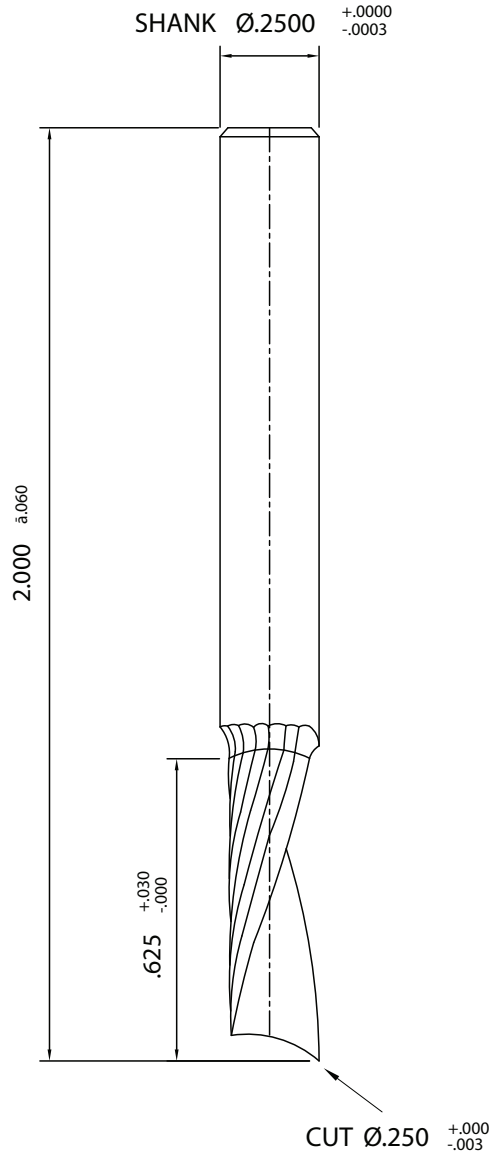


Solid Carbide Up-Cut Aluminum Cutting Spiral 'O' Flute 51402

INDUSTRIAL



This is an Amana Tool proprietary drawing.
Any copy or transfer without permission from Amana Tool is prohibited.

⚠ This DXF file is to be used on a CNC machine only in accordance with the Amana Tool No. listed above.

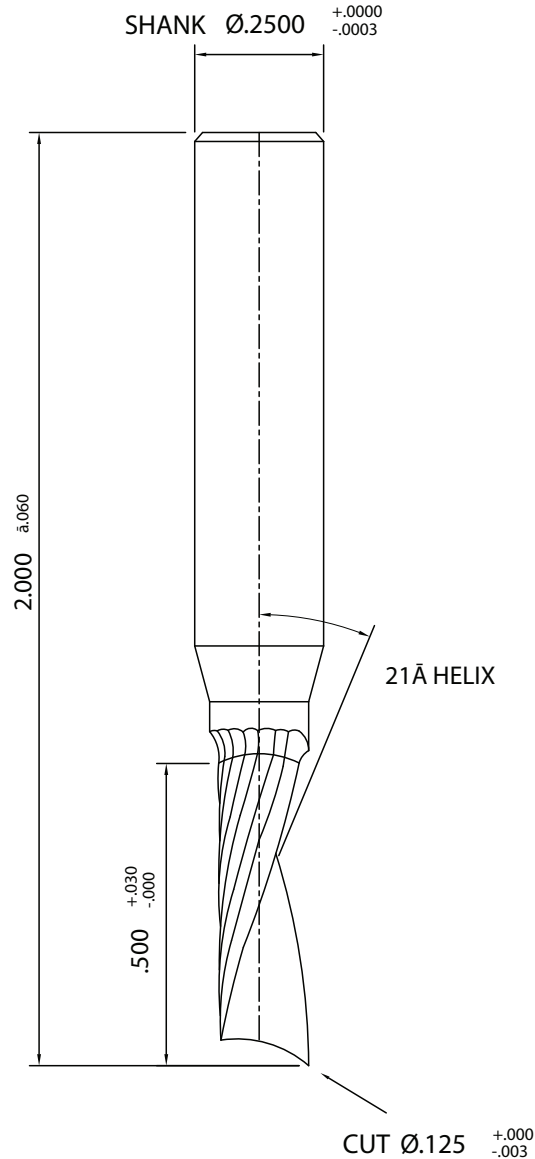


© Copyright Amana Tool® All Rights Reserved

5-9-16

Solid Carbide Up-Cut Aluminum Cutting Spiral 'O' Flute 51454

INDUSTRIAL



This is an Amana Tool proprietary drawing.
Any copy or transfer without permission from Amana Tool is prohibited.

⚠ This DXF file is to be used on a CNC machine only in accordance with the Amana Tool No. listed above.



© Copyright Amana Tool® All Rights Reserved

5-9-16